



5DDU ECM - Direct Drive Upblast Roof Ventilator

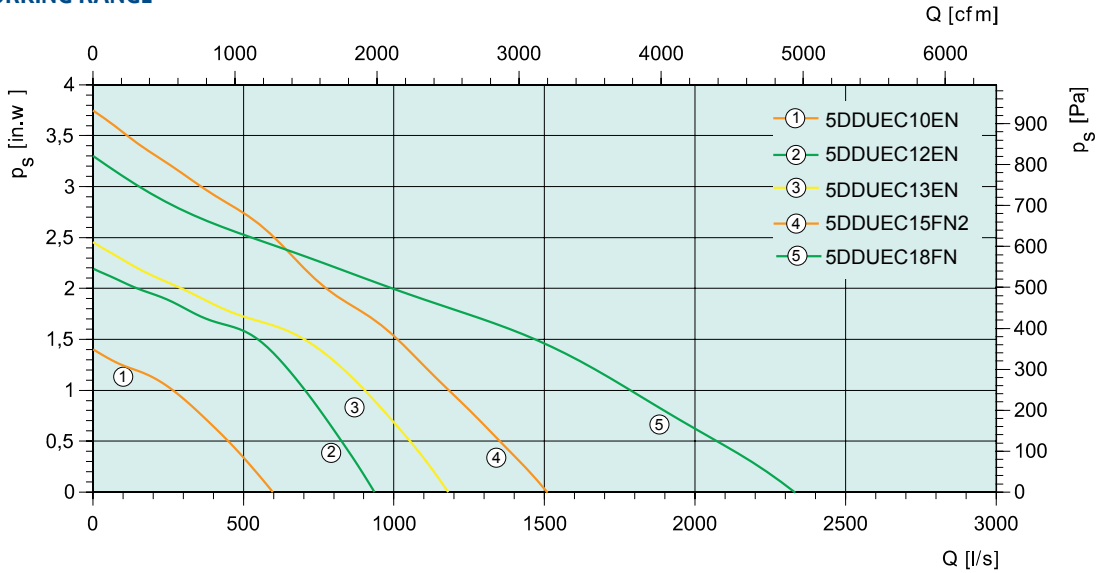
Adjustability means flexibility

- **Durable design**
Durable spun aluminum construction with steel support braces.
- **Controllable fan**
The model is 100% controllable via 2-10V contact, the motor is equipped with electronic protection. Will easily integrate and play an active role with smart HVAC systems in buildings. The operating switch is directly wired to the power supply.
- **Can take the heat**
Air stream temperatures up to 300°F.
- **High efficiency unit**
Energy efficient EC-motors and optimized blade and inlet cone geometry result in low SFP-value*. All ECM Fans are marked with our Green Ventilation symbol.
- **Certificates**
AMCA Air, AMCA Sound, cULus, UL 705 and UL 762.
- **Warranty**
The 5DDU ECM Series is backed by a 3 year limited warranty, which covers defects in materials, workmanship and parts.



* SFP - Specific Fan Power (W/l/s)
Represents the power consumption of a fan at a specific operating point.

WORKING RANGE



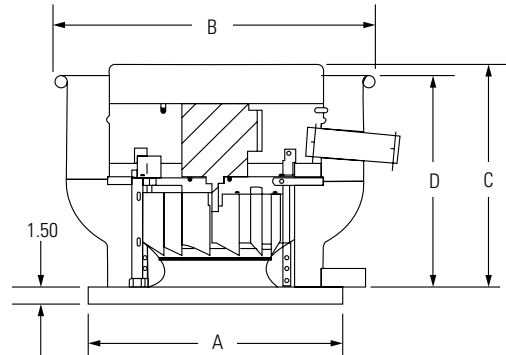
SPECIFICATION DATA

Model	Rated power	Voltage / phase	RPM	0.0" P _s	0.25" P _s	0.50" P _s	0.75" P _s	1.00" P _s	1.25" P _s	Sones @ 0.25"	Shipping weight
	HP			V / ~	min ⁻¹	cfm Watts					
5DDU EC 10EN	3/4	120/208/240	2060	1186 239	1052 250	908 262	748 271	554 261	175 203	15.4	85
5DDU EC 12EN	3/4	120/208/240	1835	1951 435	1846 465	1737 478	1625 482	1495 477	1348 477	17.8	92
5DDU EC 13EN	3/4	120/208/240	1685	2495 564	2376 586	2254 608	2112 623	1955 632	1780 634	18.9	95
5DDU EC 15FN2*	1	120/208/240	1755	3252 977	3087 973	2922 968	2742 962	2563 956	2383 950	24	105
5DDU EC 18FN*	1	120/208/240	1300	4840 1239	4570 1253	4292 1260	3983 1246	3670 1240	3350 1239	19.7	161

DIMENSIONS

Model	A	B	C	D
5DDUEC 10EN	19	23 7/8	18 7/8	17 7/8
5DDUEC 12EN	22	26 5/32	19 5/8	17 3/4
5DDUEC 13EN	22	27 7/8	20 3/4	18 1/2
5DDUEC 15FN2	26	29 7/8	22	19 3/8
5DDUEC 18FN	30	34	24	21 1/8

Dimensional information is in inches.



Systemair certifies that the models shown herein are licensed to bear the AMCA Seal. The ratings are based on the tests and procedures performed in accordance with AMCA Publication 211 and comply with the requirements of the AMCA Certified Ratings Program. Performance certified is for installation type D – Ducted inlet, Ducted outlet. Performance ratings do not include the effects of appurtenances (accessories).

Contact your local representative for energy-efficient ventilation solutions for your next project. To find a local Rep in your area, please follow on www.systemair.net or connect with us at ECMFans.sales@systemair.net

