

## Villavent® Central Vacuum cleaner system

For a good indoor climate



# Villavent® Central vacuum cleaner system



- Sturdy housing made of plastic
- Appealing design
- Good suction performance
- Easy and flexible mounting
- Easy operation and maintenance
- Long service life

## Healthy and hygienic

Our central vacuum cleaner systems provide healthy indoor climate and pure air by carrying away the dust directly into the vacuum cleaner bag of the central unit while discharging the exhaust air into the atmosphere. Excellent for people with allergies, young children and asthmatics, because house dust includes germs, spores and other allergenic substances. House dust includes the well-known house dust mites, whose excrements enter our body via respiration. This can provoke chronic respiratory diseases. Conventional appliances can not absorb many of these substances, because the pores of the vacuum cleaner bag emit smallest bacteria and spores back to the environment. By switching-on the appliance, the dust will be partially raised and spread in the house. With our central vacuum cleaner, dust stays where it belongs – in the vacuum cleaner bag. This spares hard work cleaning and dusting.

## Functional design - easy handling

Tiresome carrying around heavy and bulky vacuum cleaners is a thing of the past. Just plug in the vacuum hose into one of the vacuum points in the wall und get started. The long, flexible hose, equipped with telescopic pipe and floor nozzle, makes the appliance convenient and back-friendly.

## High suction power - low noise level

The high suction power guarantees maximum cleaning of your furniture, floors and carpets. Yet, the central vacuum cleaner is very quiet, because its central unit is located in the garage, in the basement or in a storage room. Consequently, there is no noise exposure in your living space..

## Easy and flexible installation

A Villavent central vacuum cleaner is very easy to install. Vacuum points can be positioned to reach each and every corner of the house.

## Easy maintenance - long service life

Maintenance usually consists of the replacement of the vacuum cleaner bag. This should be done once or twice a year.



Hose set with on/off switch on the handle (11 m).

### Premium 2 hose set, 11 m

Art. no.

26430

## The Hepa filter

A Hepa filter is a fine filter which catches finest particles out of the air. No pipe connection to the outside is necessary, because only cleaned air is brought back into the rooms.



**Specially-shaped handle**

Improves the airflow, the cleaning performance and reduces flow noise. Transition to adjustable and light-weight telescopic pipe made from aluminium. With adjustable power during vacuum cleaning. User-friendly and ergonomic handle.

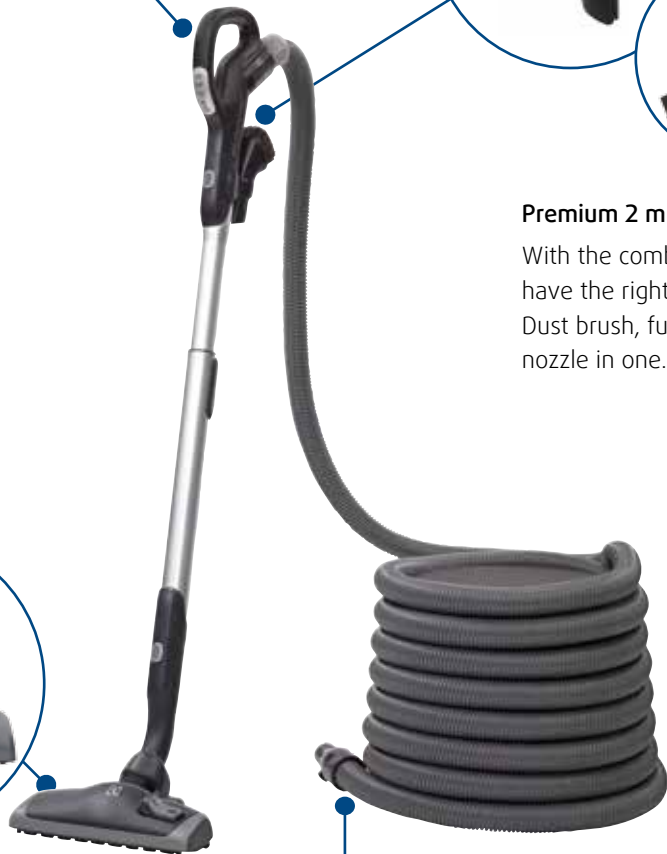


**Premium 2 multi-brush 3 in 1**

With the combi-brush you will always have the right cleaning attachment. Dust brush, furniture brush and flat nozzle in one.

**Premium 2 floor nozzle**

With rolls and adjustable brush.



**Connection to vacuum socket**

Contact connector for vacuum socket with 10 m flexible hose.

## Technical data

Typ	V20	V30
Art. no.	12547	12548
Power (max.)	1600 W	1650 W
Motor cooling	Surrounding	Surrounding
Voltage	230 V (50 Hz)	230 V (50 Hz)
Control signal	24 V	24 V
Suction effect	540 W	620 W
Current	6,3 A	6,5 A
Delay fuse	10 A	10 A
Low pressure (max.)	2730 mmWs	2880 mmWs
Air flow	50 l/s	57 l/s
Sound pressure level $L_{pA}$ (1 m)	68 dB(A)	67 dB(A)
Vacuum unit container	31 l	31 l
Vacuum cleaner bag	23 l, single-use	23 l, single-use
Weight	ca. 7,4 kg	ca. 7,9 kg
Max. pipe length*	ca. 30 m	ca. 30 m
Pipe diameter	Ø 50,8 mm (2")	Ø 50,8 mm (2")
Cable length	~2,5 m cable (incl. plug)	~2,5 m cable (incl. plug)

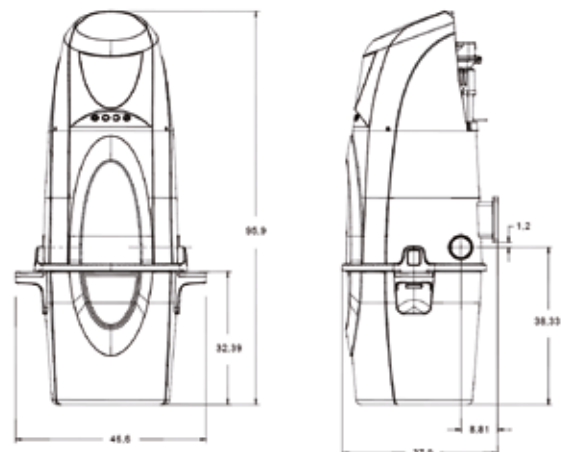
\*Pipe length between the appliance and the farthest vacuum point, including exhaust air hose. The exhaust air hose should not exceed a length of 10 m.

Content pipe kit	1 socket	2 sockets	3 sockets
Art. no.	3734	3735	3736
Elbow 90° for connection vacuum point	1 pcs.	2 pcs.	3 pcs.
Elbow 90° (One pipe bend of each set swivel-mounted)	3 pcs.	7 pcs.	10 pcs.
Elbow 45° for connection pipe system	2 pcs.	4 pcs.	6 pcs.
Y-Tee 45° for connection pipe system	1 pcs.	1 pcs.	1 pcs.
Y-Tee 90° for connection pipe system	-	-	1 pcs.
Pipe socket	4 pcs.	6 pcs.	8 pcs.
Pipe brackets	3 pcs.	5 pcs.	6 pcs.
Vacuum socket (wall-mounted component)	1 pcs.	2 pcs.	3 pcs.
Mounting frame for vacuum socket (building shell)	1 pcs.	2 pcs.	3 pcs.
Cover plate for vacuum socket (building protection)	1 pcs.	2 pcs.	3 pcs.
Low voltage cable 24 V	10 m	17 m	30 m
Mounting material (package)	1	1	1
Glue (bottle)	100 ml	100 ml	100 ml
Pipe, length 1.15 m	6 pcs.	10 pcs.	14 pcs.
Installation manual	1 pcs.	1 pcs.	1 pcs.

## Dimensions



Complete pipe kit including all needed pipe parts: Glue, pipe clips, remote cable and installation manual. Available in 3 sizes: for 1, 2 or 3 vacuum points.



**Accessories**

**Vacuum socket**

With mounting frame and cover plate.  
Made of plastic, white.



**Vacuum socket**  
Art. no. 8485

**Suction socket**

Made of plastic, white.



**Suction socket**  
Art. no. 12315

**Silencer for exhaust air**

Made of plastic, white.



**Silencer for exhaust air**  
Art. no. 3744

**Wall grid for exhaust air**



**Wall grid for exhaust air**  
Art. no. 3745

**Hepa filter**



**Hepa filter**  
Art. no. 12549

**Premium 2 parquet nozzle**

With rolls and brush for hard floors.



**Premium 2 parquet nozzle**  
Art. no. 30156

**Premium 2 floor nozzle**

With rolls and adjustable brush.



**Premium 2 floor nozzle**  
Art. no. 30660

**Premium 2 turbo nozzle**

With rotating brush for carpets.



**Premium 2 turbo nozzle**  
Art. no. 39605

**Premium 2 multi-brush 3 in 1**

Dust brush, furniture brush and flat nozzle in one.



**Premium 2 multi-brush 3 in 1**  
Art. no. 30748

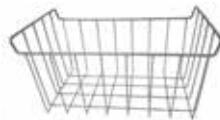
**Premium 2 Adapter**

Round to oval.



**Premium 2 Adapter**  
Art. no. 30779

**Basket for accessories**



**Basket for accessories**  
Art. no. 313881

**Ashcan**



**Ashcan**  
Art. no. 12320

**Filter bag**



**Filter bag V20/V30**  
Art. no. 12552



[www.systemair.com](http://www.systemair.com)