

SAVE VTC 300/700

High efficiency heat recovery unit





SAVE VTC 300/700 L/R



- High efficiency heat recovery unit up to 90%
- Energy efficient fan motors with modern EC technology
- Operation from user friendly control panel(s), type CD with LCD-display
- Separate setting of supply and extract airflow
- Changes automatically to summer operation with no heat recovery
- Automatic defrosting
- Modbus communication via RS-485

High efficiency

The residential air handling unit with EC fans has flexible control functions and a modern control panel. Modern EC technology The SAVE VTC 300 is designed for installation on the wall and the VTC 700 is designed for installation on floor in dwellings with an area to be ventilated of up to 600 m². The casing of the unit is painted in white, double skinned and fully insulated. Moreover the SAVE VTC 300/700 has complete control functions, a high efficiency counterflow heat exchanger, and filters. Newest energy efficient fans with EC motors reduces energy consumption for transportation of conditioned air by apx. 50 % compared to traditional AC motors, combined with lower sound levels. Integrated modern technology gives low SFP factor (Specific Fan Power).

The unit will automatically alternate between normal operation with heat recovery and summer operation without heat recovery. This solution will also automatically recover chilled indoor air (from cooling).

CD control

Airflow and supply air temperature can be set from one or more CD control panels. Symbol and text in the display will indicate chosen settings; re-heater operating, summer operation and need for filter change. Airflow for supply and extract, on each step, is set from the control panel. A timer-

function for automatic change between day and night operation (installations in commercial buildings) is integrated. Alarm signal will indicate possible malfunctions. The CD panel has a user level for authorized installers and service personnel. The CD panel is connected to the unit by cable with quick connectors (modular plugs), alternatively via a 4-pole terminal block. The SAVE VTC 300/700 is equipped with outputs to control an external hot water battery and inputs prepared for demand controlled ventilation from external sensors, e.g. CO₂, presence or humidity sensor (potential free contact).

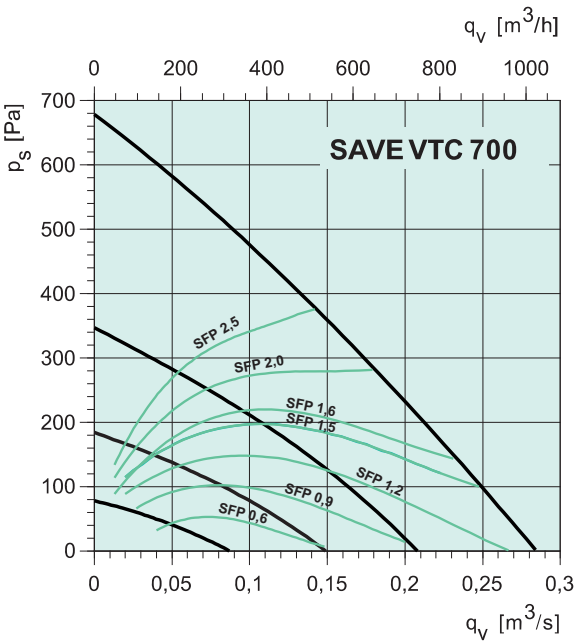
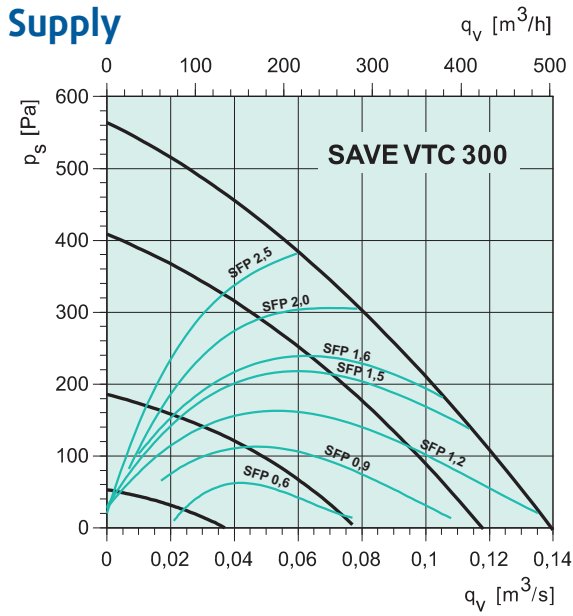
Automatic defrosting

The unit has an automatic defrost function that can be chosen in 5 different modes depending on the indoor environment as well as the outdoor conditions. If the unit is to operate for long periods when the outside temperature is below -20°C, the use of a preheater such as the CB is recommended.

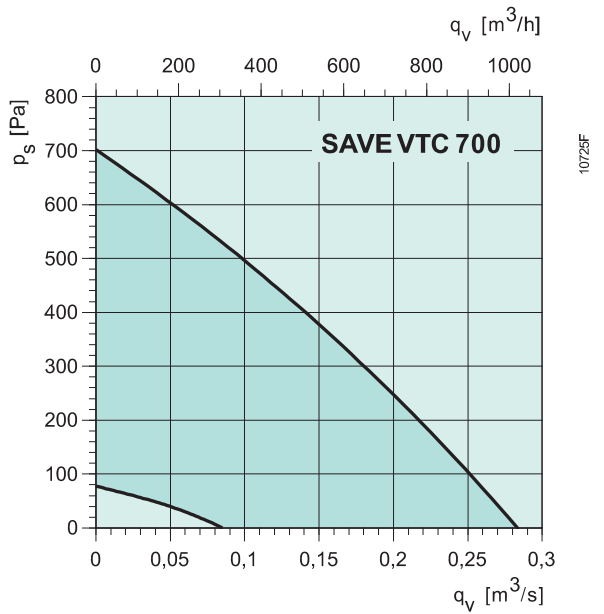
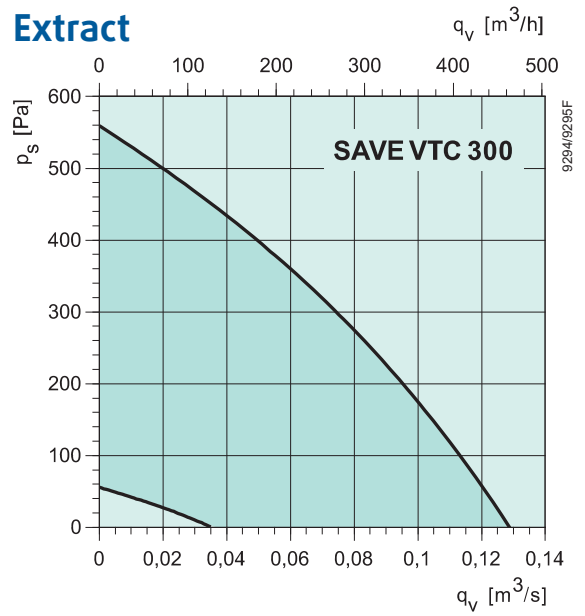
The VTC 300/700 can be supplemented with a re-heater battery.

G4 filters are delivered as standard. F7 and M5 are available as accessories.

Supply



Extract

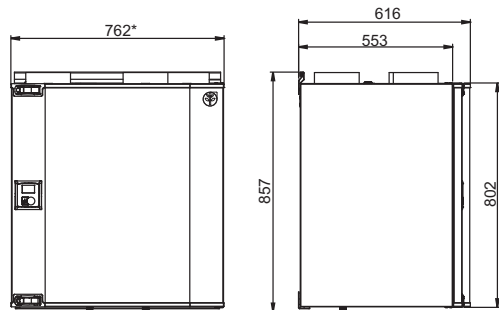


SFP = Specific Fan Power (kW/m³/s)

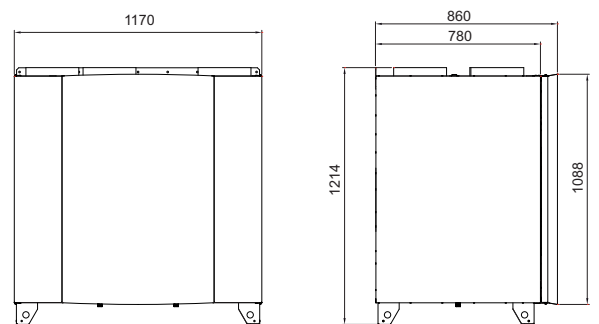
The SFP value stated applies to the complete unit.

Dimension

SAVE VTC 300 Left version



SAVE VTC 700 Right version



CVVX
combi grill



LDC
silencer



IGW
wall grid



VBC
heating battery



CD
control panel



Re-heater

