

## Roof fan DVN EC / DVNI EC

Highly efficient and robust:  
The roof fans DVN / DVNI with EC technology



# DVN EC / DVNI EC



- Temperature of transported air up to 120 °C
- Motor outside the airstream
- EC motor with increased efficiency
- Speed controllable
- Vertical exhaust



### Isolator switch

An isolator switch is preinstalled as standard.

### Casing

Casing manufactured made from sea salt water resistant aluminium. Base frame with integrated inlet cone, manufactured from galvanised steel sheet. Includes integrated bird guard manufactured from powder coated, galvanised steel. DVNI with 50 mm acoustic and thermal mineral wool insulation.

### Motor

Energy-saving, highly efficient EC external rotor motors.

### Impeller geometry

Optimised and highly efficient backward curved high density impellers manufactured made from aluminium for optimum efficiency.

### Output control

100 % controllable via a 0-10 V signal.

### Motor protection

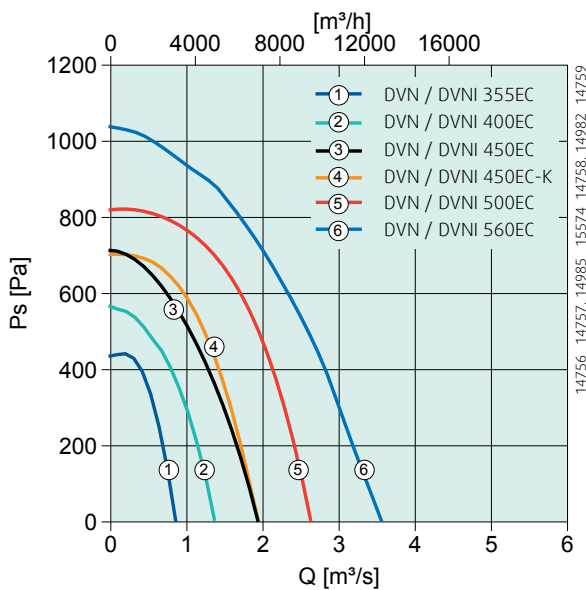
The motor protection is integrated in the motor electronics.

### Accessories

Accessories on request.

You can find more information in our online catalogue at [www.systemair.com](http://www.systemair.com)

### Quick selection

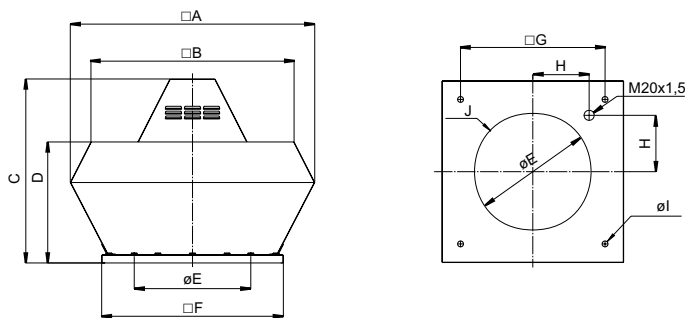


## Technical data

DVN EC		DVN 355 EC	DVN 400 EC	DVN 450 EC	DVN 450 EC-K	DVN 500 EC	DVN 560 EC
Art. no.		37103	37125	37126	37730	37127	37128
Voltage	V	230	230	400	230	400	400
Frequency	Hz	50/60	50/60	50/60	50/60	50/60	50/60
Phase	~	1	1	3	1	3	3
Power	W	359	677	974	1176	1975	2467
Current	A	1,55	2,85	1,6	4,86	2,91	3,68
Max. air flow	m <sup>3</sup> /s	0,89	1,39	1,97	1,97	2,66	3,59
Fan impeller speed	1/min	1511	1394	1410	1506	1500	1410
Max. temperature of transported air	°C	120	120	120	120	120	120
Sound pressure level at 4m (free field)	dB(A)	50	52	53	53	65	64
Sound pressure level at 10m (free field)	dB(A)	42	44	45	45	57	56
Weight	kg	29,3	32,5	48	54,5	67,5	83
Insulation class		B	B	B	B	F	F
Enclosure class	IP	55	55	55	54	55	55
Motor protection		Integral	Integral	Integral	Integral	Integral	Integral

DVNI EC		DVNI 355 EC	DVNI 400 EC	DVNI 450 EC	DVNI 450 EC-K	DVNI 500 EC	DVNI 560 EC
Art. no.		37488	37489	37490	37731	37491	38092
Voltage	V	230	230	400	230	400	400
Frequency	Hz	50/60	50/60	50/60	50/60	50/60	50/60
Phase	~	1	1	3	1	3	3
Power	W	359	677	974	1176	1975	2467
Current	A	1,55	2,85	1,6	4,86	2,91	3,68
Max. air flow	m <sup>3</sup> /s	0,89	1,39	1,97	1,36	2,66	3,59
Fan impeller speed	1/min	1511	1463	1410	1506	1502	1410
Max. temperature of transported air	°C	120	120	120	120	120	120
Sound pressure level at 4m (free field)	dB(A)	44	46	47	48	50	58
Sound pressure level at 10m (free field)	dB(A)	36	38	39	40	42	50
Weight	kg	38	48	53,5	60	71	76
Insulation class		B	B	B	B	F	F
Enclosure class	IP	55	55	55	54	55	55
Motor protection		Integral	Integral	Integral	Integral	Integral	Integral

## Dimensions



DVN EC / DVNI EC	A	B	C	D	øE	F	G	H	øI	J
355-400	720	618	600	390	438	595	450	200	12(4x)	6xM8
450-500	900	730	675	465	438	665	535	237	12(4x)	6xM8
560	1150	955	900	560	605	939	750	293	14(4x)	8xM8

Dimensions in mm.



Systemair GmbH  
Seehöfer Straße 45  
D-97944 Windischbuch

Tel. +49 (0) 7930 9272-0  
Fax +49 (0) 7930 9272-92

[info@systemair.de](mailto:info@systemair.de)  
[www.systemair.de](http://www.systemair.de)