



## Robust and hard wearing ribbed pipe radiator in a retro design

Frico's ribbed pipe radiators are designed for harsh environments and are approved for wet rooms, but are also available in designs for rooms at risk of fire. The retro design has also created a new application area in modern housing.

Convector and radiators from Frico efficiently produce pleasant heat. Heat distribution in the room is good at the same time as the warm air flow directed upwards can be used to counteract cold draughts from the windows.

Frico's ribbed pipe radiators have a hard wearing and robust design in dark green sheet steel. The compact format means the radiator has a small footprint, but gives a lot of heat.

- The ribbed pipe radiator is available in the following designs:
  - **Model 125**
  - **Model 127**, sand-filled and suitable for rooms at risk to fire.
- The ribbed flanges increase the heating surface and provide good heat transfer combined with a compact design.
- Resettable overheating protection along the full length of the ribbed pipe radiator.
- A protective steel case give a lower surface temperature and extra protection against impact (model 125).
- To comply with Ecodesign Regulation (EU) 2015/1188 the unit must be installed with thermostat TAP16R (accessory). TAP16R has adaptive start, week program and open window detection.
- Floor brackets are available as an accessory.
- Approved for wet rooms (IP44).
- Colour: RAL 6005, NCS 7020-B90G (dark green).

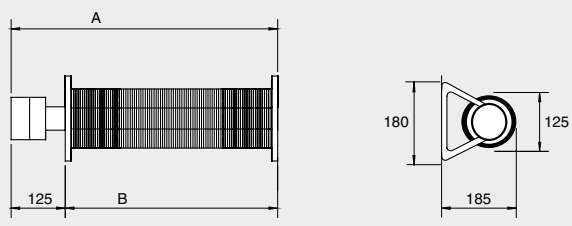
### Ribbed pipe radiator 125 (IP44)

Type	Output [W]	Voltage [V]	LxHxD [mm]	Weight [kg]
125-12B	200	230V~	370x180x185	2,4
125-22B	375	230V~	530x180x185	3,3
125-32B	575	230V~	730x180x185	4,5
125-42B	775	230V~	880x180x185	5,5
125-52B	1150	230V~	1185x180x185	7,5


### Ribbed pipe radiator 127, for use in combustible areas (sand filled) (IP44)

Type	Output [W]	Voltage [V]	LxHxD [mm]	Weight [kg]
127-22B	500	230V~	980x180x185	10,9
127-42B	800	230V~	1925x180x185	33,3

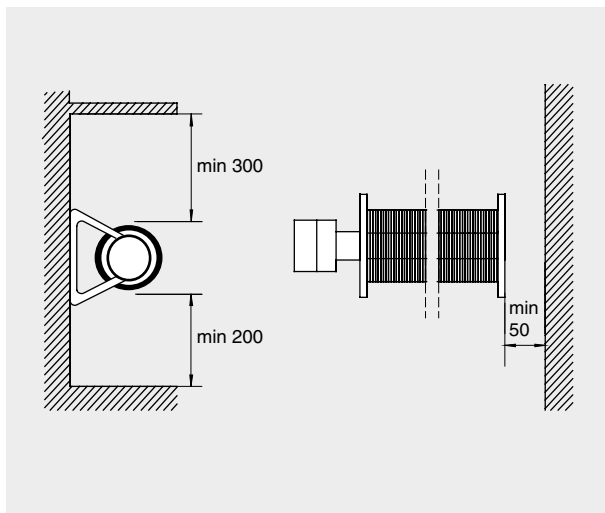
Dimensions



	A [mm]	B [mm]
<b>125-12B</b>	370	245
<b>125-22B</b>	530	405
<b>125-32B</b>	730	605
<b>125-42B</b>	880	755
<b>125-52B</b>	1185	1060
<b>127-22B</b>	980	855
<b>127-42B</b>	1925	1800



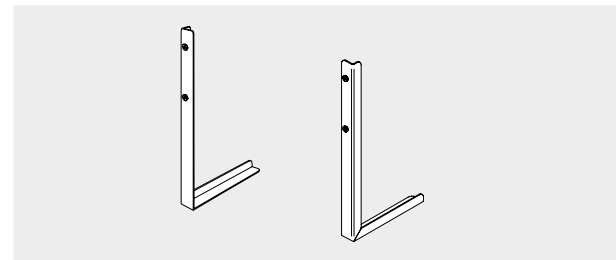
Minimum distances



Accessories

FBRP, floor brackets for ribbed pipe radiator  
 Floor brackets that enable floor mounting (x2). Height: 370 mm. Colour: RAL 6005, NCS 7020-B90G (dark green).

Type	Description	HxD [mm]
<b>FBRP</b>	Floor brackets (2 pcs)	370x170



Controls



Type	Description	HxWxD [mm]
<b>TAP16R</b>	Electronic thermostat, 16A, IP21	87x87x53
<b>TEP44</b>	Protective enclosure for TAP16R, IP44	87x87x55
<b>RTX54</b>	External room temperature sensor, NTC10KΩ, IP54	82x88x25

Controls for installations not covered by the Ecodesign Regulation (EU) 2015/1188

Type	Description	HxWxD [mm]
<b>KRT1900</b>	Capillary tube thermostat, IP55	165x57x60
<b>KRTV19</b>	Capillary tube thermostat with knob, IP44	165x57x60

