



9 models  
 ⚡ 200–1150 W Electrical heat

## Ribbed pipe radiator

Robust and hard wearing ribbed pipe radiator in a retro design

### Application

Frico's ribbed pipe radiators are designed for harsh environments and are approved for wet rooms, but are also available in designs for rooms at risk of fire. The retro design has also created a new application area in modern housing.

### Comfort

Convectors and radiators from Frico efficiently produce pleasant heat. Heat distribution in the room is good at the same time as the warm air flow directed upwards can be used to counteract cold draughts from the windows.

### Operation and economy

The possibility of choosing products with different outputs results in energy efficient heating irrespective of whether the whole building is to be heated or only frost protection is required. A long life and minimum maintenance also reduce costs.

### Design

Frico's ribbed pipe radiators have a hard wearing and robust design in dark green sheet steel. The compact format means the radiator has a small footprint, but gives a lot of heat.

### Product specifications

- The ribbed pipe radiator is available in the following designs:
  - **Model 125**, without output selector.
  - **Model 126**, with output selector that regulates the heat in three steps.
  - **Model 127**, without output selector, sand-filled and suitable for rooms at risk to fire.
- The ribbed flanges increase the heating surface and provide good heat transfer combined with a compact design.
- Resettable overheating protection along the full length of the ribbed pipe radiator.
- A protective steel case give a lower surface temperature and extra protection against impact (model 125 and 126).
- Floor brackets are available as an accessory.
- Approved for wet rooms (IP44).
- Can be regulated using an external thermostat.
- Colour: RAL 6005, NCS 7020-B90G (dark green).

## Ribbed pipe radiator



The origins of Frico's ribbed pipe radiators can be traced back to the 1930s, but they are just as suitable, hard wearing and functional today.



The ribbed pipe radiator's design and mounting brackets make them easy to install, for example, below a window.



Robust and hard wearing — Frico's ribbed pipe radiators are ideal for harsh environments.



Installed by a window the ribbed pipe radiators effectively counteract cold draughts that frequently form by large glazed areas.

# Ribbed pipe radiator

## Technical specifications

Ribbed pipe radiator 125. Without output selector. (IP44)

| Type    | Output [W] | Voltage [V] | LxHxD [mm]  | Weight [kg] |
|---------|------------|-------------|-------------|-------------|
| 125-12B | 200        | 230V~       | 370x180x185 | 2,4         |
| 125-22B | 375        | 230V~       | 530x180x185 | 3,3         |
| 125-32B | 575        | 230V~       | 730x180x185 | 4,5         |
| 125-42B | 775        | 230V~       | 880x180x185 | 5,5         |

Ribbed pipe radiator 126, with output selector. (IP44)

| Type    | Output [W] | Voltage [V] | LxHxD [mm]   | Weight [kg] |
|---------|------------|-------------|--------------|-------------|
| 126-32B | 575        | 230V~       | 730x180x185  | 4,7         |
| 126-42B | 775        | 230V~       | 880x180x185  | 5,7         |
| 126-52B | 1150       | 230V~       | 1185x180x185 | 7,5         |

Ribbed pipe radiator 127, without output selector, for use in combustible areas (sand filled). (IP44)

| Type    | Output [W] | Voltage [V] | LxHxD [mm]   | Weight [kg] |
|---------|------------|-------------|--------------|-------------|
| 127-22B | 500        | 230V~       | 980x180x185  | 10,9        |
| 127-42B | 800        | 230V~       | 1925x180x185 | 33,3        |

Protection class: IP44.

CE compliant.

## Dimensions

|         | A [mm] | B [mm] |
|---------|--------|--------|
| 125-12B | 370    | 245    |
| 125-22B | 530    | 405    |
| 125-32B | 730    | 605    |
| 125-42B | 880    | 755    |
| 126-32B | 730    | 605    |
| 126-42B | 880    | 755    |
| 126-52B | 1185   | 1060   |
| 127-22B | 980    | 855    |
| 127-42B | 1925   | 1800   |

CE

## Mounting and connection

### Mounting

The ribbed pipe radiator is installed horizontally on the wall with the connection box to the left seen from the front. For minimum dimensions with permanent installation, see diagram 1.

### Electrical installation

The ribbed pipe radiator is intended for permanent installation.

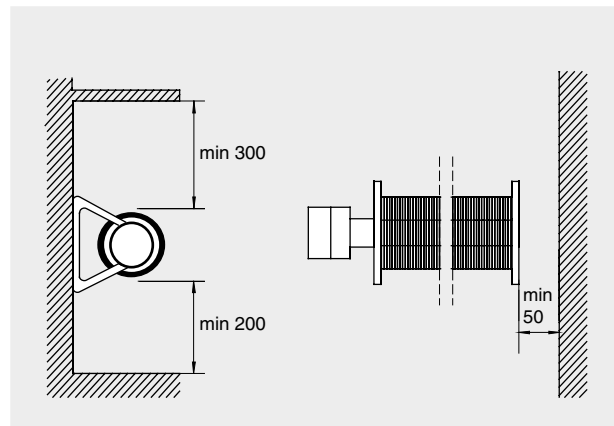


Fig. 1: Minimum distance for fixed installation.

## Control

The ribbed pipe radiator can be regulated using an external thermostat. Model 126 features an integrated output selector that regulates the heat in three steps (0-1/3-2/3-1). For further information and options, see the "Controls" section.

## Accessories

FBRP, floor brackets for ribbed pipe radiator  
Floor brackets that enable floor mounting (x2). Height: 370 mm. Colour: RAL 6005, NCS 7020-B90G (dark green).

| Type | Description            | HxD<br>[mm] |
|------|------------------------|-------------|
| FBRP | Floor brackets (2 pcs) | 370x170     |

