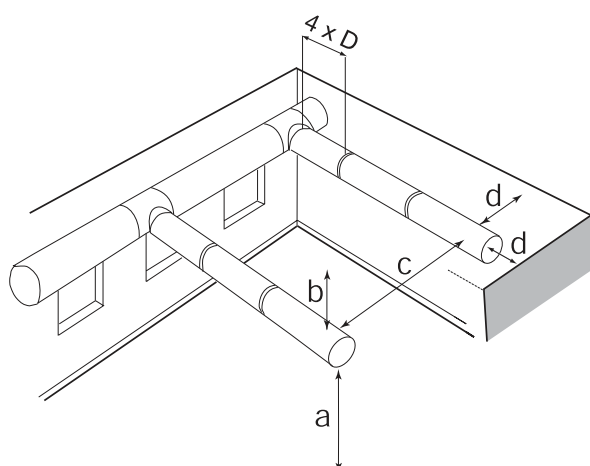


Installation instructions



LPS supplied in lengths of 500 mm and 1000 mm. The lengths are fastened together to the desired total length and then LPS-B is installed. For hanging, union piece LPS-M must be installed above the joint.

Supply air duct LPSW for false ceiling installation

LPSW is supplied in lengths of 500 and 1000 mm and fastened together to the desired total length and then LPSW-B is installed. An adjustable part for hanging is supplied for each length. The device's flanges must create a straight line. For vertical duct connection use LPSW-T.

Table 1 Recommended minimum distance

	to the sides	down	up	around
a	2300	2500	2300	2300
b	100	50	200	200
c	2500	2500	2500	2500
d	1300	1300	1300	1300
Δt	0 till -10	0	-1 till -10	0 till -4

The device must not be installed so that it hangs from the false ceiling construction or so that the false ceiling hangs from the device. Generally speaking, after a bend, T-pipe, damper or other type of obstruction, an unperforated duct LPS-P/LPSW-P with a minimum length of $4 \times \text{øD}$ should be installed between the obstruction and LPS/LPSW.